

# Model KB 115 | Cooling incubators with compressor technology

The powerful virtuoso in cooling incubators for microorganisms: the KB masters temperature ranges from -10 °C to 100 °C. The new KB series consumes up to 30% less energy compared to its predecessor. With its extensive programming options and homogenous incubation conditions even when fully loaded, this cooling incubator covers a wide range of applications.

## BENEFITS

- Safe, reproducible incubation, even at high ambient temperatures
- Disinfection routine at +100 °C
- Up to 30% lower energy consumption compared to the previous model



Model 115



Model 115

## MAIN FEATURES

- Temperature range: -10 °C to +100 °C
- APT.line™ preheating chamber technology
- Up to 30% lower energy consumption compared to the previous model
- Cooling with compressor cooling unit
- Adjustable fan speed
- Controller with time-segment and real-time programming
- Inner door made of tempered safety glass
- 2 stainless steel racks
- Stackable
- Class 3.1 independent temperature safety device (DIN 12880) with visual and acoustic alarm
- Computer interface: Ethernet

## ORDERING INFORMATION

Interior volume [L]	Voltage	Option model	Version	Art.-No.
115	230 V 1~ ph 50 Hz	Standard	KB115-230V	9020-0397
	120 V 1~ ph 60 Hz	Standard	KB115UL-120V	9020-0398

## TECHNICAL DATA

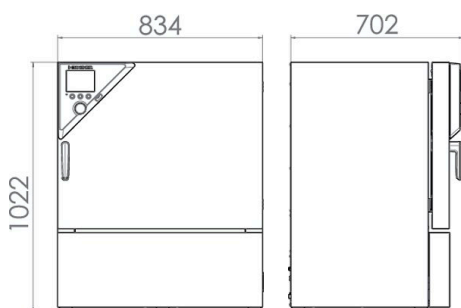
Description	KB115-230V <sup>1</sup>	KB115UL-120V <sup>1</sup>
<b>Article Number</b>	<b>9020-0397</b>	<b>9020-0398</b>
<b>Performance Data Temperature</b>		
Temperature range °C	-10...100	-10...100
Temperature variation at 37 °C [± K]	0.2	0.2
Temperature fluctuation at 37 °C [± K]	0.1	0.1
Recovery time after 30 seconds door open at 37 °C [min]	2	2

<sup>1</sup> All technical data is specified for unloaded units with standard equipment at an ambient temperature of +22 °C ±3 °C and a power supply voltage fluctuation of ±10 %. The temperature data is determined in accordance to BINDER factory standard following DIN 12880, observing the recommended wall clearances of 10 % of the height, width, and depth of the inner chamber. Technical data refers to 100 % fan speed. All indications are average values, typical for units produced in series. We reserve the right to change technical specifications at any time.

Description	KB115-230V <sup>1</sup>	KB115UL-120V <sup>1</sup>
Article Number	9020-0397	9020-0398
<b>Electrical data</b>		
Rated Voltage [V]	230	120
Power frequency [Hz]	50	60
Nominal power [kW]	0.7	0.7
Unit fuse [A]	10	12.5
Phase (Nominal voltage)	1~	1~
<b>Measures</b>		
Interior volume [L]	115	115
Net weight of the unit (empty) [kg]	105	105
Permitted load [kg]	50	50
Load per rack [kg]	20	20
Wall clearance back [mm]	100	100
Wall clearance sidewise [mm]	100	100
<b>Internal Dimensions</b>		
Width [mm]	600	600
Height [mm]	480	480
Depth [mm]	400	400
<b>Doors</b>		
Inner doors	1	1
Unit doors	1	1
<b>Housing dimensions not incl. fittings and connections</b>		
Width net [mm]	835	835
Height net [mm]	1025	1025
Depth net [mm]	650	650
<b>Environment-specific data</b>		
Energy consumption at 37 °C [Wh/h]	75	75
Sound-pressure level [dB(A)]	49	49
<b>Fixtures</b>		
Number of shelves (std./max.)	2/5	2/5

1 All technical data is specified for unloaded units with standard equipment at an ambient temperature of +22 °C ±3 °C and a power supply voltage fluctuation of ±10 %. The temperature data is determined in accordance to BINDER factory standard following DIN 12880, observing the recommended wall clearances of 10 % of the height, width, and depth of the inner chamber. Technical data refers to 100 % fan speed. All indications are average values, typical for units produced in series. We reserve the right to change technical specifications at any time.

### DIMENSIONS incl. fittings and connections [mm]



**OPTIONS**

Designation	Description	*	Art.-No.
<b>Access port with silicone plug</b>	back		
	10 mm	01	8012-0395
	30 mm	01	8012-1292
	50 mm	01	8012-1294
	left		
	10 mm	01	8012-0393
	30 mm	01	8012-1157
	right		
	10 mm	01	8012-0392
	30 mm	01	8012-1154
	top		
	10 mm	01	8012-0391
	30 mm	01	8012-1151
	50 mm	01	8012-1160
100 mm	01	8012-1167	
<b>Alarm output, zero-voltage</b>	for temperature ( $\pm 2$ °C), accessible via 6-pin DIN socket (max. 24 V - 2.5 A), with audible signal that can be switched off	-	8012-1082
<b>Calibration certificate, expanded</b>	for temperature; for extending the measurement in center of chamber to include another test temperature	-	8012-1120
<b>Calibration certificate, temperature</b>	for temperature, measurement in center of chamber at specified temperature	-	8012-1139
	temperature measurement incl. certificate and 27 measuring points at specified temperature	-	8012-1598
	temperature measurement incl. certificate, 15- 18 measuring points at specified temperature	-	8012-1577
	temperature measurement incl. certificate, 9 measuring points at specified temperature	-	8012-1556
<b>Class 3.3 independent temperature safety device</b>	with visual alarm (DIN 12880)	-	8012-1080
<b>Door lock</b>	lockable door handle	-	8012-1773
<b>Pt 100 temperature sensor</b>	additional flexible Pt 100, interior, for displaying the temperature on the unit display	-	8012-1078
<b>Shelf, reinforced</b>	positioned at bottom level, max. load 45 kg, with additional attachment for operation of shaking device, stirring device or roller bottle system	-	8012-0288

\* Notes › See last page

**ACCESSORIES**

Designation	Description	*	Art.-No.
<b>APT-COM™ 4 BASIC-Edition</b>	for simple logging and documentation requirements with up to 5 networked units. version 4, BASIC edition	-	9053-0039
<b>APT-COM™ 4 GLP-Edition</b>	for working under GLP-compliant conditions. Measured values are documented in a tamper-proof way in line with the requirements of FDA Regulation 21 CFR 11. version 4, GLP edition	-	9053-0042
<b>APT-COM™ 4 PROFESSIONAL-Edition</b>	convenient unit and user management built on the BASIC edition. Suitable for networking up to 100 units. version 4, PROFESSIONAL edition	-	9053-0040
<b>Data Logger Kit</b>	T 220: For continuous temperature logging from -90 °C to 220 °C. The kit includes 1 data logger, Pt 100 sensor with 2 m extension cable and 1 magnetic fixture for mounting to the BINDER unit	-	8012-0715
<b>Data Logger Software</b>	LOG ANALYZE software kit, configuration and evaluation software for all BINDER Data Logger Kits (incl. USB data cable)	-	8012-0821
<b>LED light bars</b>	Basic set consisting of 2 pieces, attachment material, control unit for max. 4 light strips, 100-240 V, 50/60 Hz		
	Basic set 300, length 30 cm	-	8012-1107
	Basic set 500, length 50 cm	-	8012-1108
	Expansion set consisting of 2 pieces, attachment material: clips. For expanding the basic set of light bars		
	Expansion set 300, length 30 cm	-	8012-1716
	Expansion set 500, length 50 cm	-	8012-1717

\* Notes › See last page

Designation	Description	*	Art.-No.
<b>pH-neutral detergent</b>	concentrated, for gentle remove of residual contaminants; 1 kg	-	1002-0016
<b>Qualification documents</b>	IQ/OQ documents – supporting documents for validation performed by customers, consisting of: IQ/OQ checklists incl. calibration guide and comprehensive unit documentation; parameters: temperature, CO <sub>2</sub> , O <sub>2</sub> , pressure, depending on unit		
	Digital in PDF format	-	7057-0001
	Hard copy inside folder	-	7007-0001
	IQ/OQ/PQ documents – supporting documents for validation performed by customers, according to customer requirements, PQ section added to qualification folder IQ/OQ; parameters: temperature, CO <sub>2</sub> , O <sub>2</sub> – or pressure, depending on unit		
	Digital in PDF format	-	7057-0005
	Hard copy inside folder	-	7007-0005
<b>Rack</b>	stainless steel	-	6004-0008
<b>Rack accessories</b>	fasteners (1 set of 4) for additional security of racks	-	8012-0531
<b>Rack, reinforced</b>	stainless steel, with fasteners (1 set of 4)	-	8012-0700
<b>Rubber pads</b>	set anti-slip feet	-	8012-1887
<b>Shelf, perforated</b>	Stainless steel	-	6004-0030
<b>Table on castors</b>	stable cart, casters with locking brakes, dimensions: W 1,000 x D 800 x H 780 mm	-	9051-0018
<b>WLAN kit</b>	The kit contains a client bridge that establishes a wireless connection between BINDER units and APT-COM4, LIMS, or customer-specific software via an Ethernet interface. It provides an alternative solution in situations where units need to be positioned in locations without an on-site Ethernet connection. In secured networks, installation and configuration must be performed by the customer's IT service.	-	8500-0164

\* Notes › See last page

## SERVICES

Designation	Description	*	Art.-No.
<b>Installation services</b>			
Unit commissioning	Connect the unit to the customer-side connections (electricity, water, wastewater, gas), basic functions check, brief operating instructions. (excl.: unpacking, setup, controller instructions, programming, installation work)	05	DL10-0100
Unit instructions	Instruction regarding operating principle and basic functions of the unit, operation of the control electronics including programming	05	DL10-0500
<b>Maintenance contracts</b>			
<b>Maintenance services</b>			
BRONZE 3-year maintenance contract	Maintenance service as contractually agreed, visual inspection of mechanical and electrical components, check of control response, 20% discount on spare parts	05	DL20-0710
GOLD 3-year maintenance contract	Maintenance service as contractually agreed, visual inspection of mechanical and electrical components, check of control response, 20% discount on spare parts, testing of all key functions, replacement of wear parts, calibration of one test temperature specified by the user in the center of the usable space, including certificate	05	DL20-0910
Maintenance	One-off maintenance service in accordance with maintenance schedule. Visual inspection of mechanical and electrical components, testing of all key functions. Calibration of a test temperature specified by the user in center of usable space without certificate	05	DL20-0200
SILVER 3-year maintenance contract	Maintenance service as contractually agreed, visual inspection of mechanical and electrical components, check of control response, 20% discount on spare parts, testing of all key functions, calibration of one test temperature specified by the user in the center of the usable space, without certificate	05	DL20-0810
<b>Calibration services</b>			
Calibration certificate, temperature	Calibration of one (1) test temperature specified by the user in center of chamber, including certificate	03, 04, 05	DL30-0101
	Extension of calibration of one (1) additional test temperature specified by the user in the center of the usable space, including certificate	03, 04, 05	DL30-0102
Temperature measurement, 18 measuring points	Temperature measurement with 18 measuring points with a set value specified by the user, including certificate	03, 04, 05	DL30-0118
Temperature measurement, 27 measuring points	Temperature measurement with 27 measuring points with a set value specified by the user, including certificate	03, 04, 05	DL30-0127
Temperature measurement, 9 measuring points	Temperature measurement with 9 measuring points with a set value specified by the user, including certificate	03, 04, 05	DL30-0109

\* Notes › See last page

<b>Designation</b>	<b>Description</b>	<b>*</b>	<b>Art.-No.</b>
<b>Validation services</b>			
Execution of IQ/OQ	Execution of IQ/OQ in accordance with qualification folder	05	DL41-0200
Execution of IQ/OQ/PQ	Execution of IQ/OQ/PQ in accordance with qualification folder	05	DL44-0500
<b>Warranty service</b>			
1-year warranty extension	The warranty is extended by 1 year from the delivery date, wear parts are excluded	-	DL50-0010

\* Notes › See last page

**NOTES**

- 01 Condensation may occur in the area around the access port. Access ports may be placed in custom locations for an additional charge.
- 02 UL mark is not granted when this option is used.
- 03 Sensor calibration is performed in an accredited calibration laboratory.
- 04 Calibration is performed according to the BINDER factory standard.
- 05 Quoted prices do not include travel costs. Please refer to the chapter on BINDER Service for travel costs for your region. Quoted prices for services performed in Switzerland do not include a country-specific added fee (available on request).

**BINDER GmbH**

Tuttlingen, Germany  
TEL +49 7462 2005 0  
FAX +49 7462 2005 100  
info@binder-world.com  
www.binder-world.com

**BINDER Asia Pacific (Hong Kong) Ltd.**

Kowloon, Hong Kong, P.R. China  
TEL +852 39070500  
FAX +852 39070507  
asia@binder-world.com  
www.binder-world.com

**Representative Office for CIS**

Moscow, Russia  
TEL +7 495 988 15 16  
FAX +7 495 988 15 17  
russia@binder-world.com  
www.binder-world.com

**BINDER Environmental Testing  
Equipment (Shanghai) Co., Ltd.**

Shanghai, P.R. China  
TEL +86 21 685 808 25  
FAX +86 21 685 808 29  
china@binder-world.com  
www.binder-world.com

**BINDER Inc.**

Bohemia, NY, USA  
TEL +1 631 224 4340  
FAX +1 631 224 4354  
usa@binder-world.com  
www.binder-world.us